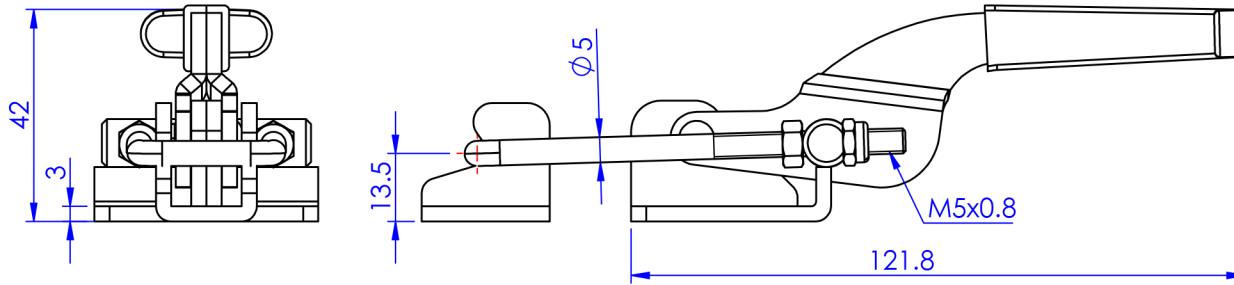
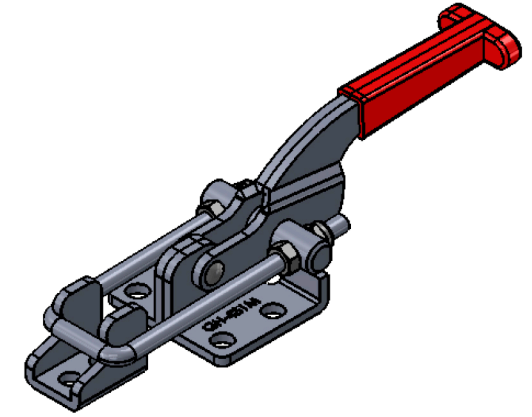
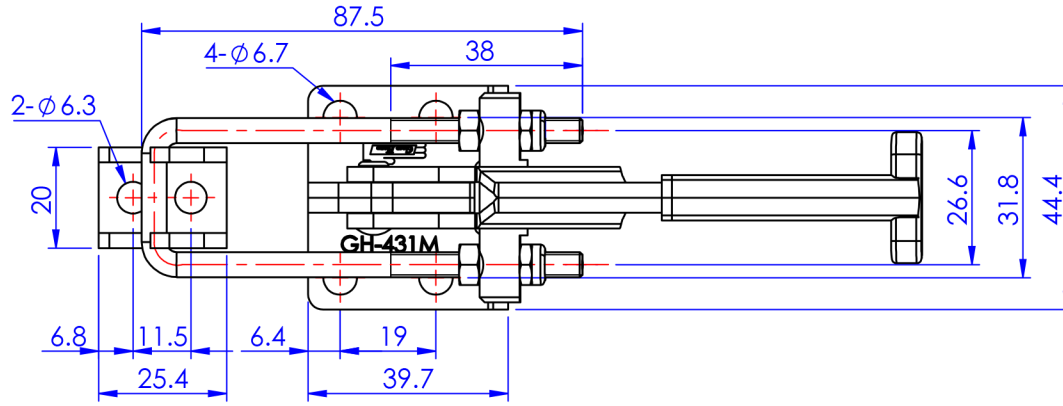


Part No:	GH-431
Holding Capacity:	318Kg
Weight:	0.23Kg
Latch Plate Supplied:	GH-431-LP



Unit:mm

Scale: 1:1.5

TITLE:	
DWG NO.	GH-431
A4	